

**ETNA**  
INDUSTRIE

# LOW PRESSURE SAFETY VALVES



## LOW PRESSURE SAFETY VALVES:

Diaphragm valves:

**Pressure range: 700 mbar to 3 bar**

**Inlet : male M22, Outlet: atmospheric exhaust**

Negative pressure valves:

**Pressure range: - 460 mbar to - 10 mbar**

**Inlet : male M22, Outlet: atmospheric exhaust**

Very low pressure safety valves:

**Pressure range: 0.012 to 3.5 bar**

**Inlet : M30 male, Outlet: atmospheric exhaust**

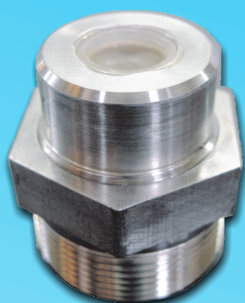
Compact design safety valves:

**Pressure range: 0.120 to 2.3 bar**

**Inlet: M8 male, Outlet: atmospheric exhaust**

**ETNA**  
INDUSTRIE

## DIAPHRAGM SAFETY VALVES



### MATERIALS

Parts in contact with fluid: Stainless steel  
Other parts: Stainless steel  
Detection system: Diaphragm

### PRESSURE AND FLOW RATE CHARACTERISTICS

Pressure range: 700 mbar to 3 bar (*manufacturer adjusting*)  
Full opening pressure: approx. 1.1 x opening pressure  
Reseating pressure: approx. 0,9 x opening pressure  
Fluid : Group 2  
Temperature range: - 20 °C à + 80 °C  
Weight: 160 g ±10%  
Flow rate Max air : 3 Nm<sup>3</sup>/h  
Ø<sub>jet</sub> = 4 mm Max  
Applications : Container, depressurization of air case, etc.

### DESCRIPTION

Material of diaphragm is design according to application for a maximal life duration.

Indirect action technology ensuring:

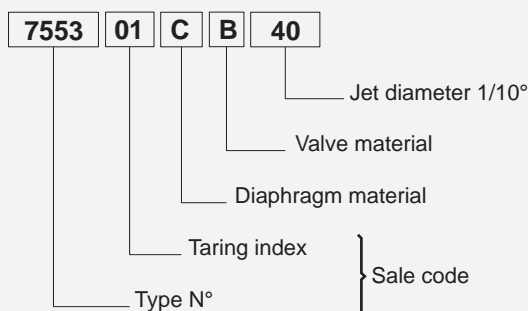
- ✓ Absolute tightness in closed position
- ✓ High accuracy of cracking pressure
- ✓ Excellent dynamic response

Other:

- ✓ The risk of freezing requires installation in a shelter with natural ventilation

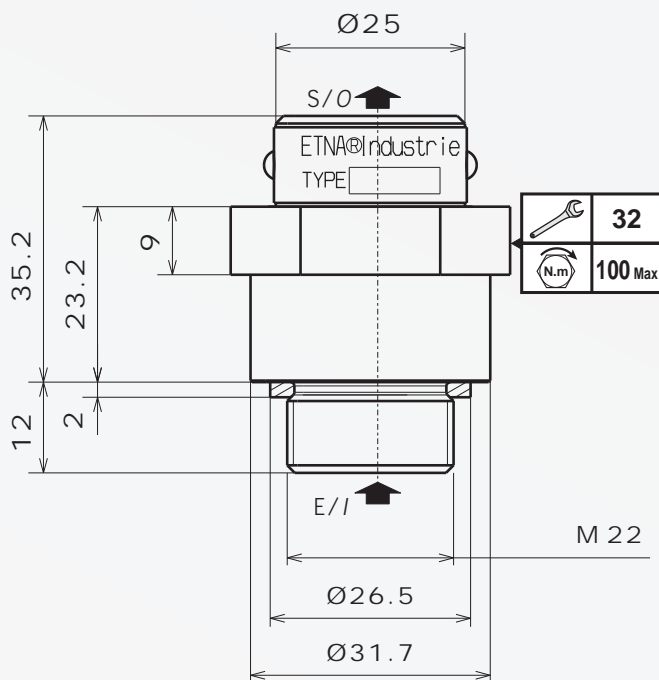
### TYPE CODING

Example:



A design can be done on request if your needs do not match the standards listed above.  
Contact ETNA Industrie with your operating conditions (pressure, temperature, fluid, etc.).

# Dimensions



**ETNA**  
INDUSTRIE

## NEGATIVE PRESSURE VALVES



### MATERIALS

Parts in contact with fluid: Aluminium  
Other parts: Aluminium, stainless steel  
Detection system: Diaphragm

### PRESSURE AND FLOW RATE CHARACTERISTICS

Pressure range: - 460 mbar et - 10 mbar (factory settings)  
Full opening: approx. 1,1 x opening pressure  
Refermeture étanche : env. 0,9 x opening pressure  
Fluid : Group 2  
Temperature range: - 50 °C to + 80 °C  
weight : 250 g ±10%  
Flow rate Max for air : 7 Nm<sup>3</sup>/h  
Ø<sub>Jet</sub> = 5 to 6 mm  
Applications : container, bleeding, depressurization, etc.

### DESCRIPTION

Material of diaphragm is design according to application for a maximal life duration.

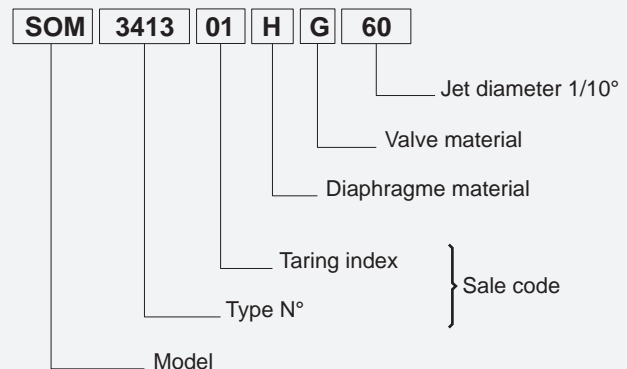
Indirect action technology ensuring:

- ✓ Absolute tightness in closed position
- ✓ High accuracy of cracking pressure
- ✓ Excellent dynamic response.

Other:

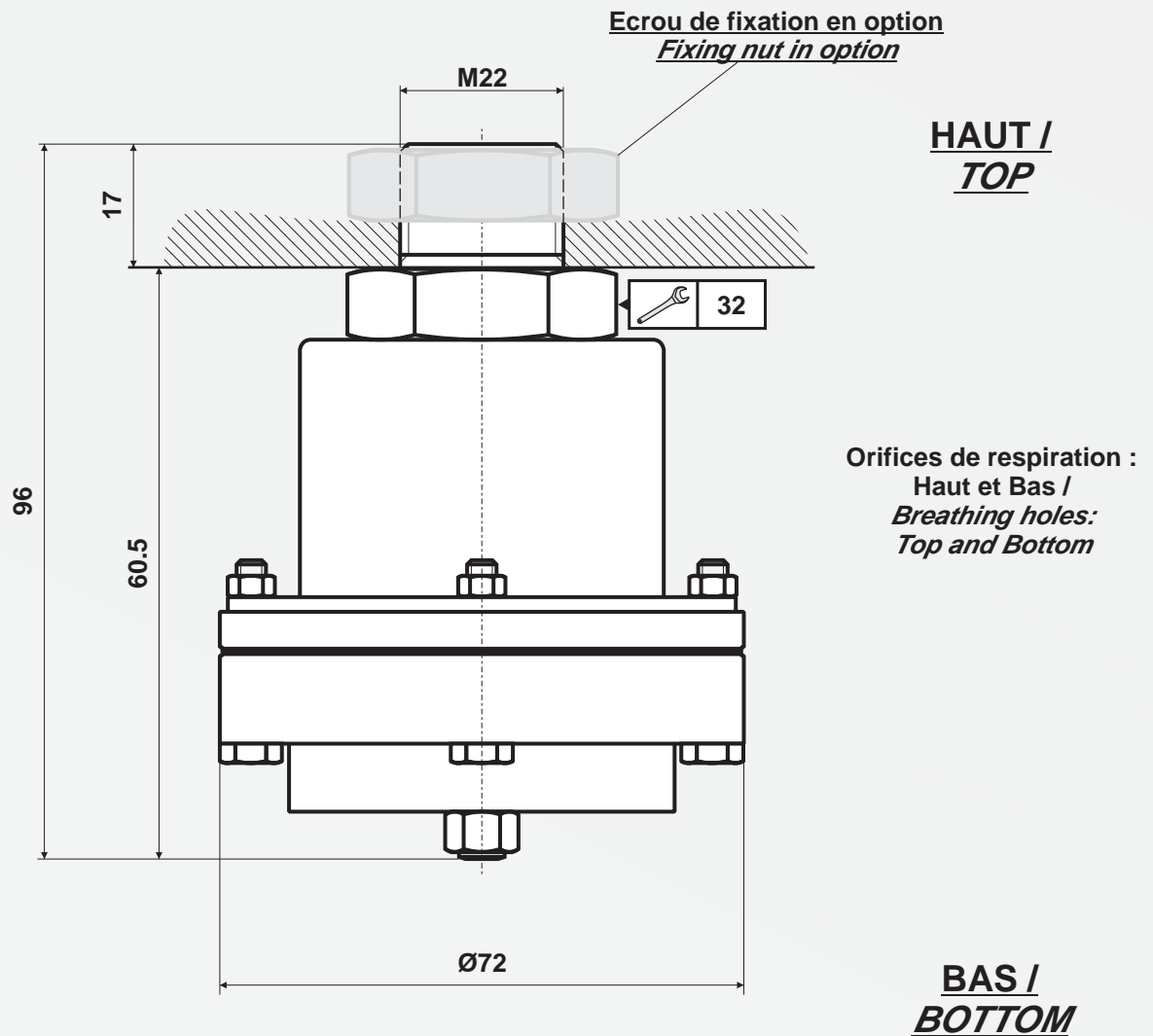
- ✓ The risk of freezing requires installation in a shelter with natural ventilation

### TYPE CODING



A design can be done on request if your needs do not match the standards listed above.  
Contact ETNA Industrie with your operating conditions (pressure, temperature, fluid, etc.).

# Dimensions



## Maintenance :

We recommend that wherever possible an annual leak test.

A refurbishment kit is available for this material. ETNA Industrie contact with full references the label manufacturer.

**ETNA**  
INDUSTRIE

8 rue de la Grande Ceinture - F95104 ARGENTEUIL CEDEX

+33 (0) 1 39 82 09 24

+33 (0) 1 39 82 20 44

[info@etna-industrie.fr](mailto:info@etna-industrie.fr)

[www.etna-industrie.fr](http://www.etna-industrie.fr)

**ETNA**  
 INDUSTRIE

## VERY LOW PRESSURE SAFETY VALVES



### DESCRIPTION

Parts in contact with fluid: Aluminium and stainless steel.  
 Other parts: protected steel (spring).  
 Detection system: diaphragm.

### PRESSURE AND FLOW RATE CHARACTERISTICS

Pressure range: 0,012 bar to 3,5 bar (factory settings).

Full opening pressure:

- ✓ approx. 1,1 x opening pressure.

Reseating pressure:

- ✓ approx. 0,9 x opening pressure.

Fluid :

- ✓ all types of fluids in the gaseous state.

Temperature range:

- ✓ -50 °C to +80 °C.

	0,012 bar	3,5 bar
Air (m <sup>3</sup> /h) mini	0,12	2,32
Air (m <sup>3</sup> /h) Maxi	3,4	67

### DESCRIPTION

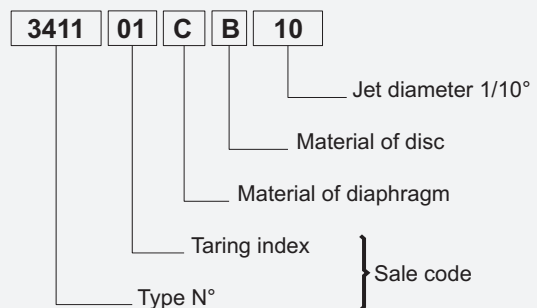
Designed for all types of fluids in the gaseous state.

Important ratio section of the membrane relative to the valve encuring:

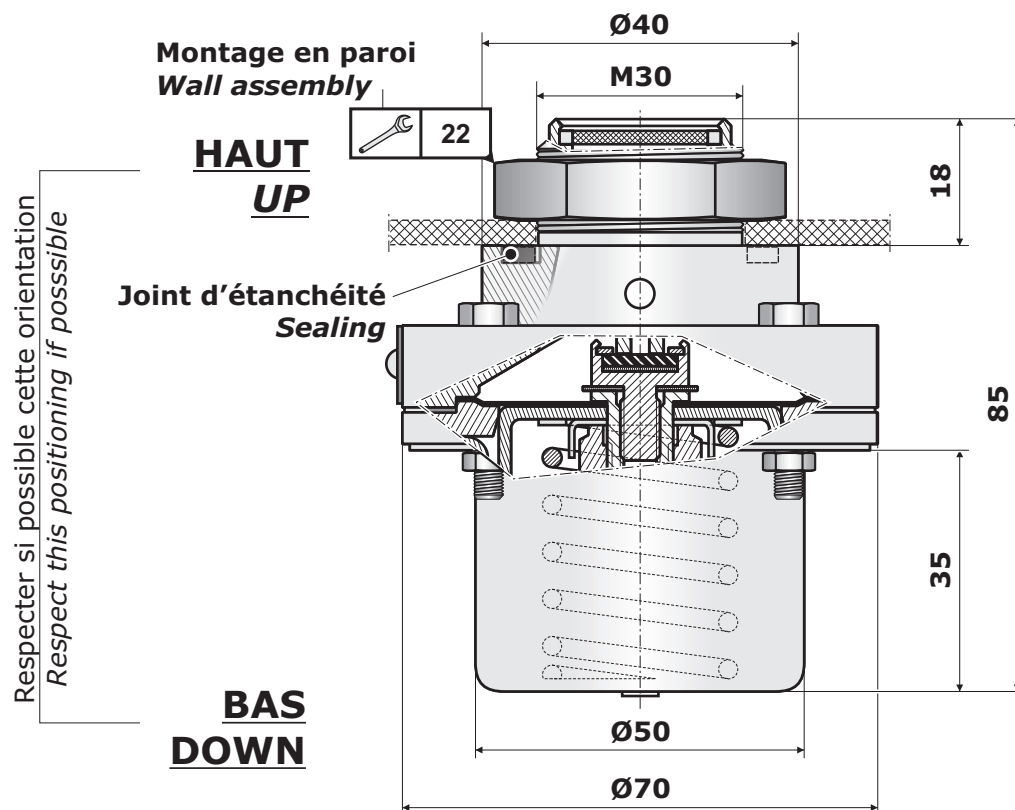
- ✓ Absolute tightness in closed position.
- ✓ High accuracy of cracking pressure.
- ✓ Excellent dynamic response.
- ✓ Good resistance to conditions outside.

### TYPE CODING

Example :



# Dimensions



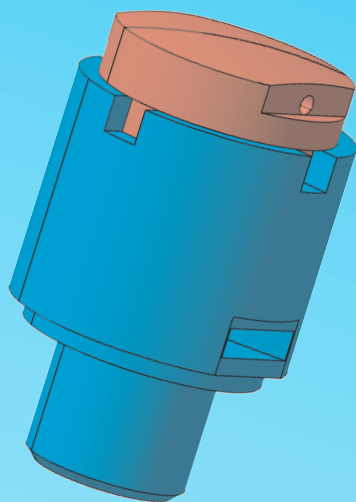
Les cotes d'encombrement sont données à  $\pm 1$  mm.

**ETNA**  
INDUSTRIE

8 rue de la Grande Ceinture - F95104 ARGENTEUIL CEDEX  
☎ +33 (0) 1 39 82 09 24 ☎ +33 (0) 1 39 82 20 44  
✉ [info@etna-industrie.fr](mailto:info@etna-industrie.fr) 🌐 [www.etna-industrie.fr](http://www.etna-industrie.fr)

**ETNA**  
INDUSTRIE

# SMALL SIZE SAFETY VALVES



## MATERIALS

Parts in contact with fluid: plastic.  
Other parts: stainless steel.  
Detection system: elastomeric or silicone diaphragm.

## PRESSURE AND FLOW RATE CHARACTERISTICS

Pressure range: 120 mbar to 2.3 bar (factory settings)  
Full opening pressure: approx. 1.1 x opening pressure  
Reseating pressure: approx. 0,9 x opening pressure  
Fluid: Group 2  
Temperature range: please contact ETNA Industrie  
Weight: 10g ±10%  
Débit Max air: please contact ETNA Industrie  
 $\varnothing_{\text{jet}} = 1 \text{ mm Max}$   
Applications: Small installations, automotive industry, low pressures, ...

## DESCRIPTION

Material of diaphragm is design according to application for a maximal life duration.

Indirect action technology ensuring:

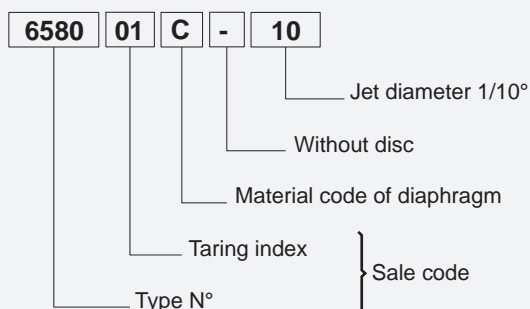
- ✓ Absolute tightness in closed position
- ✓ High accuracy of cracking pressure
- ✓ Excellent dynamic response.

Other:

- ✓ It is available with screwed and clipped version.

## TYPE CODING

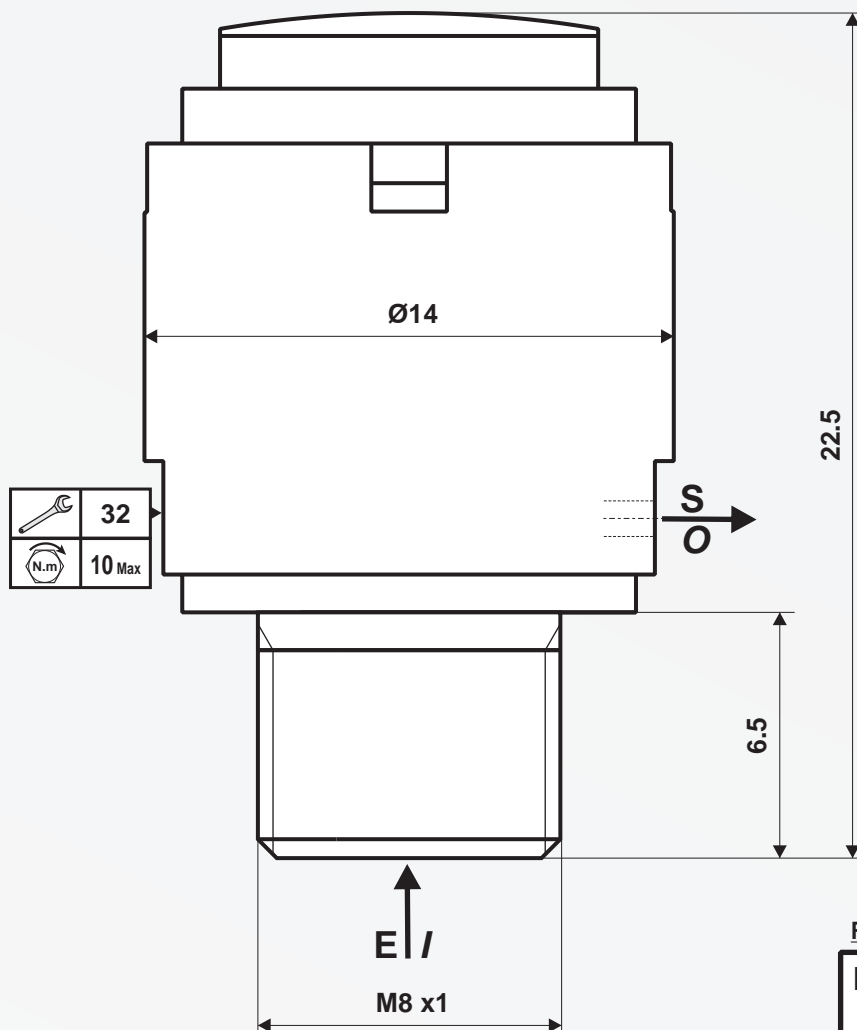
Example:



A design can be done on request if your needs do not match the standards listed above.  
Contact ETNA Industrie with your operating conditions (pressure, temperature, fluid, etc.).



# Dimensions



## Raccordements / Connections

**E / I** = M8

Longeur filetée / Thread length : 23 mm

**S / O** = Echappement libre  
Free exhaust

